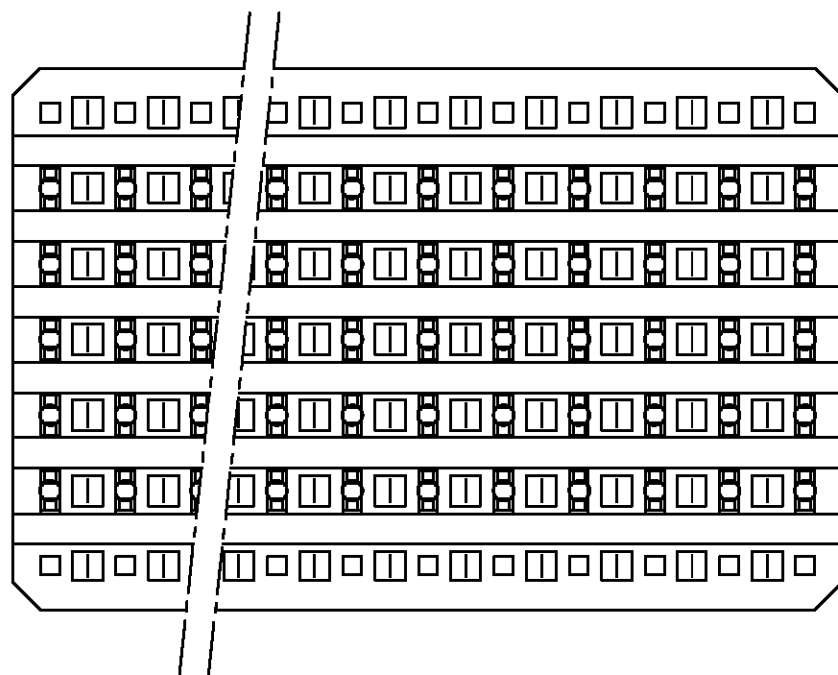
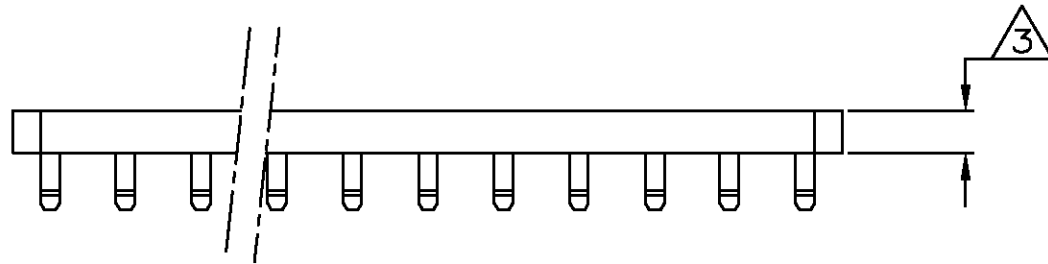
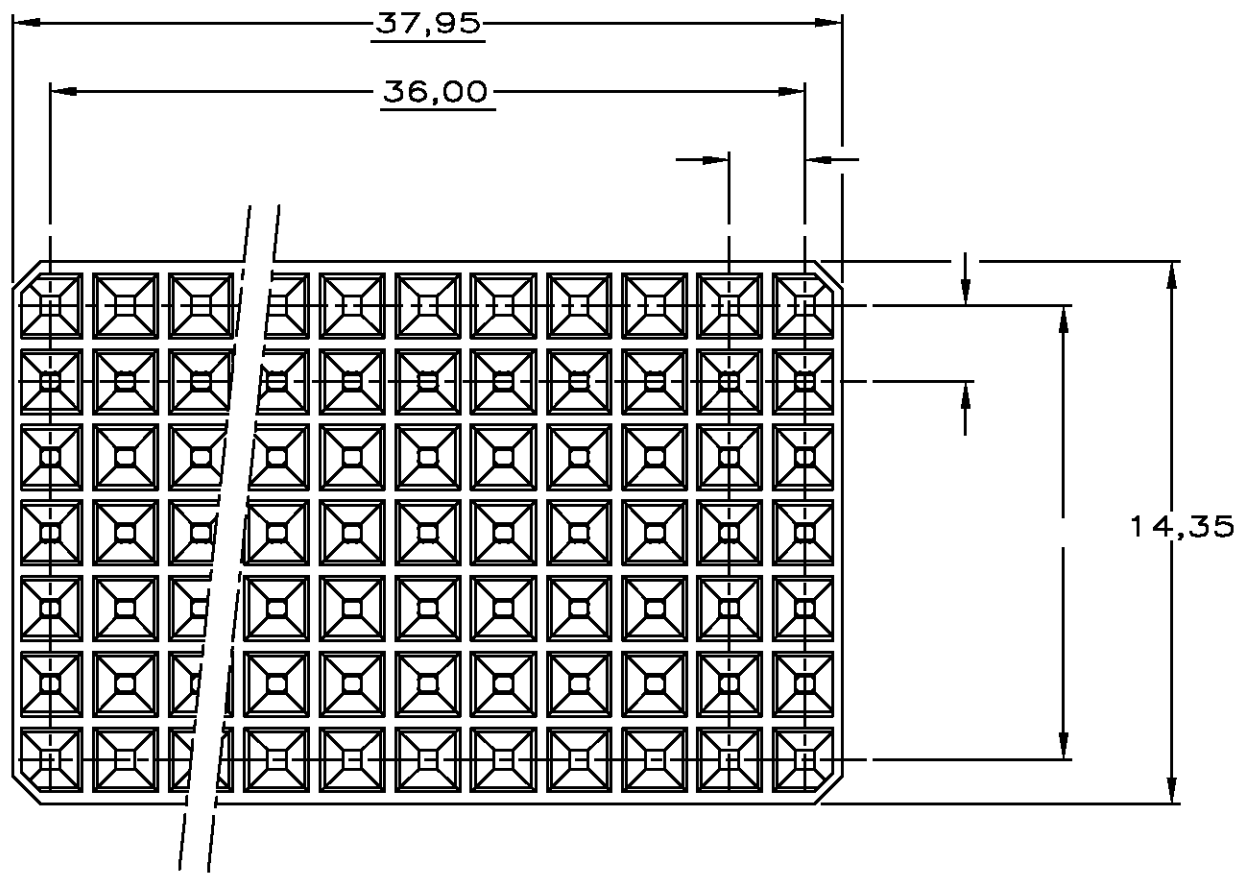


DO NOT SCALE
DIMENSIONS IN mm

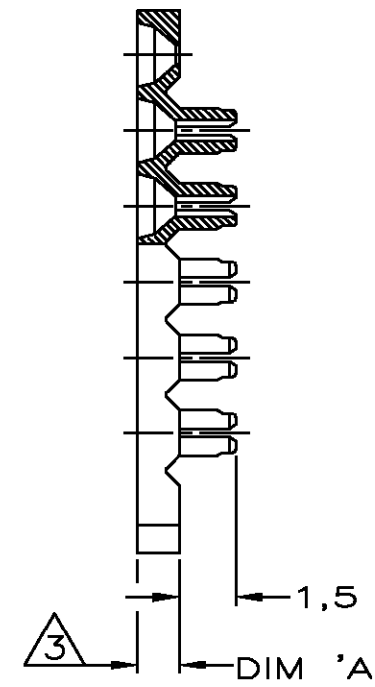
METRIC

THIRD ANGLE
PROJECTION



NOTES:

1. MATERIAL: UNFILLED POLYESTER.(GREY)
2. 0-352012-3 AS SHOWN.
3. VARIABLE HEIGHT.
4. TO DETERMINE THE RECOMMENDED SPACER-THICKNESS FOR A GIVEN PCB THICKNESS: SEE APPLICATION SPECIFICATION 114-19031.



PARTNUMBER	△ DIM "A"
0-352012-1	0,7
0-352012-2	0,9
0-352012-3	1,1
0-352012-4	1,3
0-352012-5	1,5
0-352012-6	1,7
0-352012-7	1,9

-					CUSTOMER DRAWING		FOR REFERENCE ONLY WILL NOT BE UPDATED	
-					© COPYRIGHT 19 96		BY AMP HOLLAND B.V.	
-					ALL INTERNATIONAL RIGHTS RESERVED.		AMP PRODUCTS MAY BE COVERED BY U.S. AND FOREIGN AND/OR PATENTS PENDING.	
-					THIS DRAWING IS UNPUBLISHED		RELEASED FOR PUBLICATION	
B	-	LvdH	FvK	-	AMP		AMP HOLLAND B.V. 's-Hertogenbosch, The Netherlands.	
A	EH-0682-97	LvdH	FvK	24 JUN'97			NAME	
0	EH-0196-96	DT	FvK	16-AUG-96			19 COLUMNS	
LTR.	REVISION RECORD		DR.	CHK.	DATE			
DR.:	D. TRUREN	CHK.:	FKONINGSRUGGE	APP.:	FKONINGSRUGGE	DWG.No.	C- 352012	REV.LTR. B
DATE:	16-AUG-96	DATE:	24 JUN 1997	DATE:	24 JUN 1997	SHEET	1 OF 1	A3